

**PRDS 20-230V**

**EN**

**ORIGINAL INSTRUCTIONS**  
CHISEL HAMMER



 **TROTEC**

**Table of contents**

**Notes regarding the instructions** ..... 2

**Safety** ..... 3

**Information about the device** ..... 6

**Transport and storage** ..... 8

**Start-up** ..... 8

**Operation** ..... 10

**Errors and faults** ..... 11

**Maintenance** ..... 11

**Disposal** ..... 12

**Declaration of conformity** ..... 13

**Notes regarding the instructions**

**Symbols**



**Warning of electrical voltage**

This symbol indicates dangers to the life and health of persons due to electrical voltage.



**Warning of hot surface**

This symbol indicates dangers to the life and health of persons due to hot surface.



**Warning**

This signal word indicates a hazard with an average risk level which, if not avoided, can result in serious injury or death.



**Caution**

This signal word indicates a hazard with a low risk level which, if not avoided, can result in minor or moderate injury.

**Note**

This signal word indicates important information (e.g. material damage), but does not indicate hazards.



**Info**

Information marked with this symbol helps you to carry out your tasks quickly and safely.



**Follow the manual**

Information marked with this symbol indicates that the instructions must be observed.



**Wear head protection**

Information marked with this symbol indicates that you should wear protective headgear.



**Wear hearing protection**

Information marked with this symbol indicates that you should wear hearing protection.



**Wear safety glasses**

Information marked with this symbol indicates that you should wear eye protection.



**Wear a protective mask**

Information marked with this symbol indicates that you should wear a protective mask.



**Wear protective clothing**

Information marked with this symbol indicates that you should wear protective clothing.



**Wear protective gloves**

Information marked with this symbol indicates that you should wear protective gloves.



**Wear foot protection**

Information marked with this symbol indicates that you should wear safety boots.

You can download the current version of these instructions via the following link:



PRDS 20-230V



<https://hub.trotec.com/?id=47341>

## Safety

### General Power Tool Safety Warnings



#### Warning

**Read all safety warnings, instructions, illustrations and specifications provided with this power tool.**

Failure to follow all instructions listed below may result in electric shock, fire and/or serious injury.

**Save all warnings and instructions for future reference.**

The term *power tool* in the warnings refers to your mains-operated (corded) power tool or battery-operated (cordless) power tool.



#### General Power Tool Safety Warnings – Work area safety

- **Keep work area clean and well lit.** Clutter or dark areas invite accidents.
- **Do not operate power tools in explosive atmosphere, such as in the presence of flammable liquids, gases or dust.** Power tools create sparks which may ignite the dust or fumes.
- **Keep children and bystanders away while operating a power tool.** Distractions can cause you to lose control.



#### General Power Tool Safety Warnings – Electrical safety

- **Power tool plugs must match the outlet. Never modify the plug in any way. Do not use any adapter plugs with earthed (grounded) power tools.** Unmodified plugs and matching outlets will reduce risk of electric shock.
- **Avoid body contact with earthed or grounded surfaces, such as pipes, radiators, ranges and refrigerators.** There is an increased risk of electric shock if your body is earthed or grounded.
- **Do not expose power tools to rain or wet conditions.** Water entering a power tool will increase the risk of electric shock.
- **Do not abuse the cord. Never use the cord for carrying, pulling or unplugging the power tool. Keep cord away from heat, oil, sharp edges or moving parts.** Damaged or entangled cords increase the risk of electric shock.
- **When operating a power tool outdoors, use an extension cord suitable for outdoor use.** Use of a cord suitable for outdoor use reduces the risk of electric shock.
- **If operating a power tool in a damp location is unavoidable, use a residual current device (RCD) protected supply.** Use of an RCD reduces the risk of electric shock.



#### General Power Tool Safety Warnings – Personal safety

- **Stay alert, watch what you are doing and use common sense when operating a power tool. Do not use a power tool while you are tired or under the influence of drugs, alcohol or medication.** A moment of inattention while operating power tools may result in serious personal injury.
- **Use personal protective equipment. Always wear eye protection.** Protective equipment such as a dust mask, non-skid safety shoes, hard hat or hearing protection used for appropriate conditions will reduce personal injuries.
- **Prevent unintentional starting. Ensure the switch is in the off-position before connecting to power source and/or battery pack, picking up or carrying the tool.** Carrying power tools with your finger on the switch or energising power tools that have the switch on invites accidents.
- **Remove any adjusting key or wrench before turning the power tool on.** A wrench or a key left attached to a rotating part of the power tool may result in personal injury.
- **Do not overreach. Keep proper footing and balance at all times.** This enables better control of the power tool in unexpected situations.
- **Dress properly. Do not wear loose clothing or jewellery. Keep your hair and clothing away from moving parts.** Loose clothes, jewellery or long hair can be caught in moving parts.
- **If devices are provided for the connection of dust extraction and collection facilities, ensure these are connected and properly used.** Use of dust collection can reduce dust-related hazards.
- **Do not let familiarity gained from frequent use of tools allow you to become complacent and ignore tool safety principles.** A careless action can cause severe injury within a fraction of a second.



#### General Power Tool Safety Warnings – Power tool use and care

- **Do not force the power tool. Use the correct power tool for your application.** The correct power tool will do the job better and safer at the rate for which it was designed.
- **Do not use the power tool if the switch does not turn it on and off.** Any power tool that cannot be controlled with the switch is dangerous and must be repaired.

- **Disconnect the plug from the power source and/or remove the battery pack, if detachable, from the power tool before making any adjustments, changing accessories, or storing power tools.** Such preventive safety measures reduce the risk of starting the power tool accidentally.
- **Store idle power tools out of the reach of children and do not allow persons unfamiliar with the power tool or these instructions to operate the power tool.** Power tools are dangerous in the hands of untrained users.
- **Avoid using the power tool at temperatures below 10 °C.**
- **Equipment vibrations can cause damage to health. Try to keep the vibration load to a minimum by taking regular breaks from work.**
- **Maintain power tools and accessories. Check for misalignment or binding of moving parts, breakage of parts and any other condition that may affect the power tool's operation. If damaged, have the power tool repaired before use.** Many accidents are caused by poorly maintained power tools.
- **Keep cutting tools sharp and clean.** Properly maintained cutting tools with sharp cutting edges are less likely to bind and are easier to control.
- **Use the power tool, accessories and tool bits etc. in accordance with these instructions, Take into account the working conditions and the work to be performed.** Use of the power tool for operations different from those intended could result in a hazardous situation.
- **Keep handles and grasping surfaces dry, clean and free from oil and grease.** Slippery handles and grasping surfaces do not allow for safe handling and control of the tool in unexpected situations.

- **Hold the power tool by insulated gripping surfaces, when performing an operation where the cutting accessory or fasteners may contact hidden wiring or its own cord.** Cutting accessory contacting a "live" wire may make exposed metal parts of the power tool "live" and could give the operator an electric shock.
- **Use appropriate detection equipment to track down concealed supply lines or consult the local utility companies.** Contact with electrical lines may result in fire and electric shock. Damaging a gas line may lead to an explosion. Penetrating a water line causes property damage and may cause an electric shock.
- **Vibrations can be harmful to the human hand-arm system.** Keep the vibration exposure time to a minimum.
- **During operation hold onto the power tool with both hands.** Make sure that you stand firmly on the ground. It is safer to handle the power tool with two hands.



**Protect yourself and others present from injuries caused by splintering and flying bits and pieces.**



Wear a hard hat, eye protection, a dust mask and safety boots. If necessary, put up partition panels as shield against breaking off debris.



- **Before starting to work, always ensure that the insertion tool is firmly clamped inside the tool holder.** Insertion tools that are not locked in place could be catapulted out of the power tool upon switch-on and lead to injuries.
- **Before switching on the power tool, ensure that the insertion tool can move freely.** If the device is switched on with a jammed insertion tool, the resulting forces can be extreme causing the device to kick out sideways.
- **Regularly check the tool holder for wear or damage.**
- **Only start a percussive power tool while holding it against a workpiece (wall, ceiling, etc.).**
- **Wait until the power tool has come to a standstill, before putting it down.**
- **Stop your working process immediately if dangerous situations arise.** Remove demolition debris from the work area to avoid tripping hazards and to avoid creating a load on underlying components.
- **Keep all traffic, rescue and escape routes clear.** Widely cordon off danger areas.



**General Power Tool Safety Warnings – Service**

- **Have your power tool serviced by a qualified repair person using only identical replacement parts.** This will ensure that the safety of the power tool is maintained.



**Device-specific safety warnings for chisel hammers**



**Wear ear protectors when carrying out chiselling work.** Exposure to noise can cause hearing loss.

- **Use the additional handle pre-assembled at the device.** Losing control of the power tool may result in personal injury.

## Intended use

Only use the device PRDS 20-230V for:

- for chiselling in concrete, rock and natural stone

whilst adhering to the technical data.

We recommend using the power tool with original Trotec accessories.

Any use other than the intended use is regarded as misuse.

## Reasonably foreseeable misuse

The device is not suitable for processing metal or for removing reinforcement in concrete.

## Personnel qualifications

People who use this device must:

- have read and understood the instructions, especially the Safety chapter.

## Safety signs and labels on the device

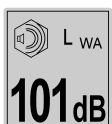
### Note

Do not remove any safety signs, stickers or labels from the device. Keep all safety signs, stickers and labels in legible condition.

The following safety signs and labels are attached to the device:



This symbol indicates that you must not pour liquid oil into the filling hole or tool holder. Only use machine lubricant.



This symbol indicates that the maximum sound power level ( $L_{WA}$ ) can be 101 dB(A). Wear hearing protection when using the device!

## Personal protective equipment



### Wear protective headgear.

With it you protect your head from splintering, falling and flying pieces which could cause injuries.



### Wear hearing protection.

Excessive noise can lead to hearing loss.



### Wear eye protection.

With it you protect your eyes from splintering, falling and flying pieces which could cause injuries.



### Wear a protective mask.

It saves you from inhaling harmful dusts generated when processing workpieces.



### Wear protective gloves.

They protect your hands from burns, crushing injuries and skin abrasions.



### Wear safety boots.

They protect your feet from splintering, falling and flying pieces which could cause injuries.

## Residual risks



### Warning of electrical voltage

Electric shock due to insufficient insulation!

Check the device for damages and proper functioning before each use.

If you detect damages, do not use the device any longer.

Do not use the device when either the device or your hands are damp or wet!



### Warning of electrical voltage

Work on the electrical components must only be carried out by an authorised specialist company!



### Warning of electrical voltage

Before any work on the device, remove the mains plug from the mains socket!

Do not touch the mains plug with wet or damp hands. Hold onto the mains plug while pulling the power cable out of the mains socket.



### Warning of electrical voltage

There is a risk of a short-circuit due to liquids penetrating the housing!

Do not immerse the device and the accessories in water. Make sure that no water or other liquids can enter the housing.



### Warning

Toxic dusts!



The harmful / toxic dusts produced during operation pose of risk to the health of the operator and persons in the vicinity.



Wear eye protection and a dust mask!



### Warning

Risk of crushing!



Never hold your hands or fingers between the striking chisel and the tool holder! Wear protective gloves!



### Warning

Do not process materials containing asbestos. Asbestos is considered carcinogenic.

**Warning**  
 Make sure not to hit power, gas or water lines when working with a power tool.  
 If necessary, use a pipe detector to check the wall you want to drill in or slit open.

**Warning**  
 Dangers can occur at the device when it is used by untrained people in an unprofessional or improper way! Observe the personnel qualifications!

**Warning**  
 The device is not a toy and does not belong in the hands of children.

**Warning**  
 Risk of suffocation!  
 Do not leave the packaging lying around. Children may use it as a dangerous toy.

**Warning**  
 The tool holder must be firmly locked in place before switching the device on, for an insufficiently or incorrectly clamped accessory could be catapulted out of the tool holder uncontrollably upon switch-on.

**Caution**  
 Vibration emissions can cause a health hazard if the device is used for an extended period of time or if it is not properly handled and maintained.

**Caution**  
 Keep a sufficient distance from heat sources.

**Note**  
 If you store or transport the device improperly, the device may be damaged.  
 Note the information regarding transport and storage of the device.

**Behaviour in the event of an emergency / emergency stop function**

Emergency stop:

Removing the mains plug from the mains socket results in the function of the device immediately stopping. In order to secure the device against accidental switch-on, leave the mains plug disconnected.

Behaviour in the event of an emergency:

1. Switch the device off.
2. In an emergency, disconnect the device from the mains feed-in: Hold onto the mains plug while pulling the power cable out of the mains socket.
3. Do not reconnect a defective device to the mains.

**Information about the device**

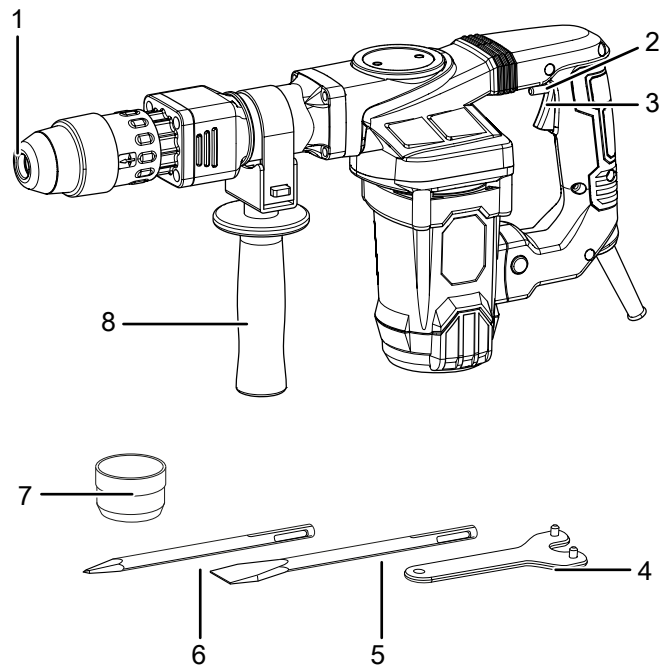
**Device description**

The chisel hammer PRDS 20-230V comes equipped with a pneumatic chiselling mechanism for high impact power and is ideally suited for continuous high-performance operations.

The SDS-max system tool holder makes it possible to exchange the insertion tools easily and without the need for further tools.

The additional handle ensures more stability and safety during the chiselling operation.

**Device depiction**




No.	Designation
1	SDS-max system tool holder
2	Continuous operation button
3	On/off switch
4	Two-hole spanner
5	SDS flat chisel
6	SDS pointed chisel
7	Lubricant container
8	Additional handle



## Scope of delivery

- 1 x Device PRDS 20-230V
- 1 x SDS flat chisel (18 x 350 mm)
- 1 x SDS pointed chisel (18 x 350 mm)
- 1 x Additional handle
- 1 x Lubricant container
- 1 x Two-hole spanner
- 1 x Transport case
- 1 x Manual

## Technical data

Parameter	Value
<b>Model</b>	<b>PRDS 20-230V</b>
Mains supply	230 V ~ 50 Hz
Power consumption	1300 W
Impact frequency	4000 min <sup>-1</sup>
Impact energy	20 J
Tool holder SDS max	18 mm
Weight	6.5 kg
Protection class	II /  (double insulation)
<b>Sound values according to EN 62841</b>	
Sound pressure level L <sub>pA</sub>	95 dB(A)
Sound power level L <sub>WA</sub>	101 dB(A)
Uncertainty K	3 dB(A)
<b>Vibration information according to EN 62841</b>	
Vibration emission value for chiselling a <sub>n</sub>	10.19 m/s <sup>2</sup>
Uncertainty K	1.5 m/s <sup>2</sup>



### Wear hearing protection.

Excessive noise can lead to hearing loss.

### Information on noise and vibration:

- The specified total vibration **and noise emission values** were measured by means of a test procedure standardized in EN 62841 and can be consulted for the comparison of one power tool with another.
- The specified total vibration **and noise emission values** can also be used for preliminary load assessment.



### Caution

Vibration emissions can cause a health hazard if the device is used for an extended period of time or if it is not properly handled and maintained.

- The actual vibration **and noise emission** may differ from the stated values during operation of the power tool. This depends on how the power tool is used and especially on the type of workpiece being processed. Try to keep the vibration load to a minimum. Exemplary measures for reducing the vibration load include wearing gloves during operation of the tool and the limitation of working hours. All parts of an operating cycle must be considered for this (e.g. times at which the power tool is switched off and times when it is switched on but runs without load).

## Transport and storage

### Note

If you store or transport the device improperly, the device may be damaged.

Note the information regarding transport and storage of the device.

### Transport

For transporting the device, use the transport case included in the scope of delivery in order to protect the device from external influences.

**Before** transporting the device, observe the following:

- Switch off the device.
- Hold onto the mains plug while pulling the power cable out of the mains socket.
- Allow the device to cool down.
- Remove the tool from the tool holder.

### Storage

**Before** storing the device, observe the following:

- Switch off the device.
- Hold onto the mains plug while pulling the power cable out of the mains socket.
- Allow the device to cool down.
- Remove the tool from the tool holder.
- Clean the device as described in the Maintenance chapter.
- For storing the device, use the transport case included in the scope of delivery in order to protect the device from external influences.

When the device is not being used, observe the following storage conditions:

- Dry and protected from frost and heat
- Ambient temperature below 45 °C
- Protected from dust and direct sunlight inside the transport case

## Start-up

### Unpacking the device

- Take the transport case out of the packaging.



### Warning of electrical voltage

Electric shock due to insufficient insulation!

Check the device for damages and proper functioning before each use.

If you detect damages, do not use the device any longer.

Do not use the device when either the device or your hands are damp or wet!

- Check the contents of the transport case for completeness and look for damages.



### Warning

Risk of suffocation!

Do not leave the packaging lying around. Children may use it as a dangerous toy.

- Dispose of the packaging material according to the national regulations.

### Tool change

The device comes equipped with an SDS-max system tool holder.



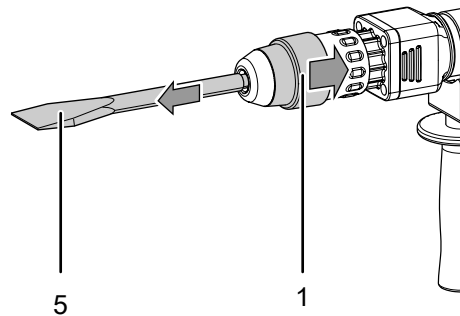
### Warning of electrical voltage

Before any work on the device, remove the mains plug from the mains socket!

Do not touch the mains plug with wet or damp hands. Hold onto the mains plug while pulling the power cable out of the mains socket.

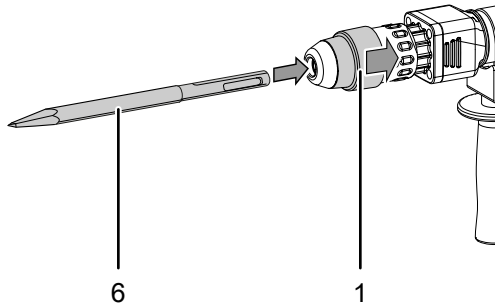
Please proceed as follows to remove or insert tools:

1. Push the SDS-max system tool holder (1) backwards. Hold it in place and, if necessary, remove the existing tool (e.g. the flat chisel, (5)) from the tool holder.  
⇒ You can then release the tool holder again.





2. Pull the SDS-max system tool holder (1) back again and hold the tool holder in place.
3. Insert the tool (e.g. the flat chisel, (6)) into the tool holder.  
⇒ You can then release the tool holder again.



4. Check the tool for tight fit by pulling on the tool.



#### Info

It is normal for the chisel to shift slightly forwards and backwards in the tool holder (approx. 3 cm).

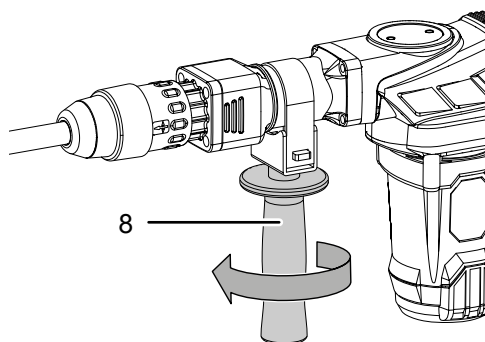
#### Adjusting the position of the additional handle

The additional handle is already preassembled. Do not use the device without the additional handle.

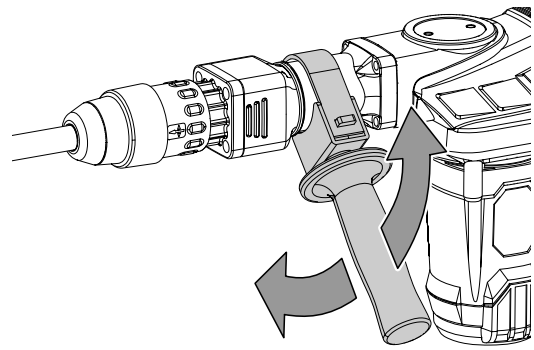
The position of the additional handle may be adjusted by 360° as required.

Please proceed as follows to adjust the position of the additional handle:

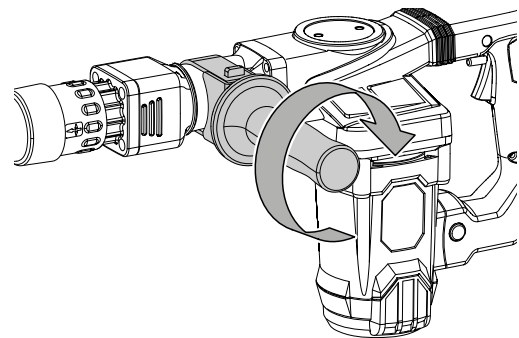
1. Loosen the additional handle (8).  
⇒ The tensioner at the additional handle releases.



2. Turn the additional handle (8) into the desired position.



3. Retighten the additional handle (8).



4. Check the additional handle (8) for tight fit. If necessary, tighten the additional handle further.

#### Connecting the power cable

1. Insert the mains plug into a properly secured mains socket.

## Operation



### Warning

Never tear down load-bearing walls or structures!  
Danger to life if walls or structures collapse.

### Tips and notes on handling the chisel hammer

#### Chiselling in general:

- Use pointed and sharp chisels that are in good condition to obtain good results.
- Only apply light contact pressure when chiselling. Excessive pressure unnecessarily increases the load on the motor!
- Consult a qualified specialist if you intend to carry out a wall breakthrough. Adjacent areas must be checked for construction, statics and condition.
- Determine the demolition procedure according to local conditions. Attach support devices if necessary.
- Use a suitable chisel.
- Take short breaks regularly during chiselling. Switch off the device briefly to allow the chisel to cool down.
- Mark the area to be chiselled with a suitable tool.

### Switching the device on and off

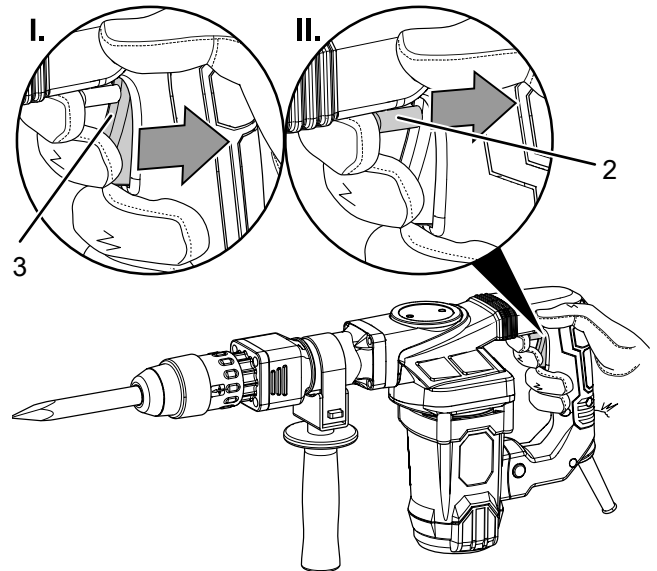
Wear your personal protective equipment when working with the device.

1. Check whether the fixed tool is suitable for the intended application.
2. Hold onto the device with both hands.
3. Press the on/off switch (3) and hold it during operation.
4. Let go of the on/off switch (3) to stop the device.
5. Wait until the device has stopped before putting it away.

### Switching continuous operation on and off

During activated continuous operation you do not have to hold onto the on/off switch (3) the entire time. Continuous operation thus permits more convenient working conditions.

1. In order to switch the device on, proceed as described in the chapter *Switching the device on and off*, steps 1 to 3.
2. Press the button for continuous operation (2) with your index finger until it locks in place completely.



3. Let go of the on/off switch (3) and continue holding the device.
  - ⇒ The on/off switch is locked in place.
  - ⇒ The device keeps running and continuous operation is activated.
4. Press the on/off switch (3) again to deactivate continuous operation.
  - ⇒ The button for continuous operation (2) automatically returns back into its initial position.
5. Let go of the on-/off-switch (3) to stop the device.

## Shutdown



### Warning of electrical voltage

Do not touch the mains plug with wet or damp hands.

- Switch off the device.
- Hold onto the mains plug while pulling the power cable out of the mains socket.
- If required, allow the device to cool down.
- Remove the tool from the device (see Start-up chapter).
- Clean the device according to the Maintenance chapter.
- Store the device according to the Transport and storage chapter.

## Errors and faults

The device has been checked for proper functioning several times during production. If malfunctions occur nonetheless, check the device according to the following list.

Troubleshooting tasks which require the housing to be opened must only be carried out by an authorized specialist electrical company or by Trotec.

### Light smoke or odour is emitted during the first use:

- This is not a fault. These phenomena disappear after a brief runtime.

### The device does not start:

- Check the power connection.
- Check the power cable and mains plug for damage. If you notice damages, do not try to take the device back into operation.

If the supply cord is damaged, it must be replaced by the manufacturer, its service agent or similarly qualified persons in order to avoid a hazard.

- Check the on-site fusing.

### The device becomes hot:

- Check whether the tool is suitable for the tasks to be carried out.
- Keep the venting slots clear to prevent the motor from overheating.
- Take regular short breaks to avoid overheating the motor.



### Info

Wait for at least 10 minutes before switching the device back on.

### The chisel does not penetrate / hardly penetrates the material:

- Check whether the material to be processed is suitable for the use of a chisel hammer.

### The device still does not operate correctly after these checks:

Please contact the customer service. If necessary, bring the device to an authorised specialist electrical company or to Trotec for repair.

## Maintenance

### Activities required before starting maintenance



### Warning of electrical voltage

Do not touch the mains plug with wet or damp hands.

- Switch off the device.
- Hold onto the mains plug while pulling the power cable out of the mains socket.
- Allow the device to cool down completely.



### Warning of electrical voltage

**Maintenance tasks which require the housing to be opened must only be carried out by authorised specialist companies or by Trotec.**

### Lubricating the tool holder

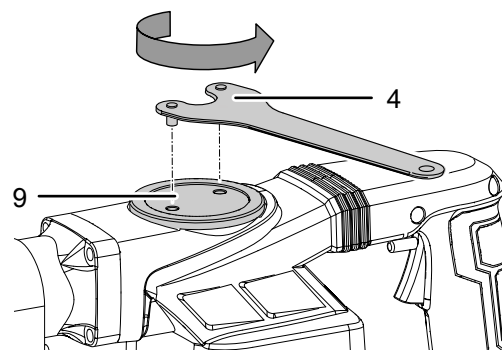
Regularly lubricate the tool holder (1) after use by means of machine lubricant from the provided lubricant container (7).

### Lubricating the impact mechanism

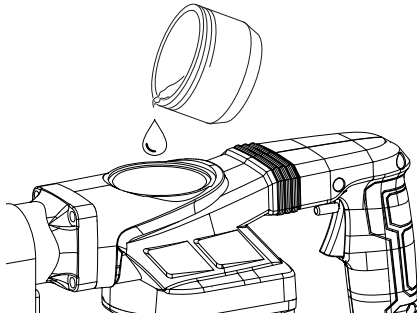
Regularly check the impact mechanism (after 50 operating hours at the latest) for sufficient lubrication. If necessary, lubricate the moving parts with machine lubricant.

To do so, please proceed as follows:

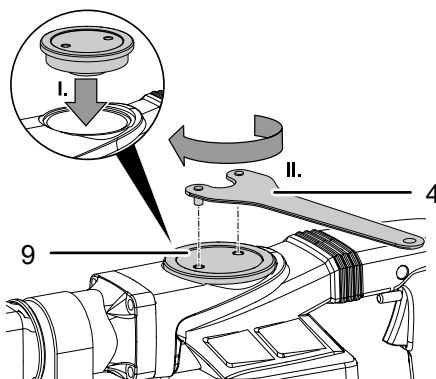
1. Detach the lid (9) with the two-hole spanner (4).



- Remove the lid (9) from the filling hole and lubricate all accessible mechanical parts with 50 g of machine lubricant.



- Put the lid (9) back on the filling hole and fasten the lid using the two-hole spanner (4).



### Safety signs and labels on the device

Check the safety signs and labels attached to the device at regular intervals. Replace illegible safety signs!

### Cleaning

The device should be cleaned before and after each use.



#### Warning of electrical voltage

There is a risk of a short-circuit due to liquids penetrating the housing!

Do not immerse the device and the accessories in water. Make sure that no water or other liquids can enter the housing.

- Clean the device with a soft, damp and lint-free cloth. Make sure that no moisture enters the housing. Protect electrical components from moisture. Do not use any aggressive cleaning agents such as cleaning sprays, solvents, alcohol-based or abrasive cleaners to dampen the cloth.
- Dry the device with a soft, lint-free cloth.
- Dry the flat chisel (5) and the pointed chisel (6) with a soft, lint-free cloth.
- Keep the ventilation openings free from dust deposits to prevent overheating of the motor.
- Slightly grease the tool holder with machine lubricant before inserting another tool.

### Disposal

Always dispose of packing materials in an environmentally friendly manner and in accordance with the applicable local disposal regulations.



The icon with the crossed-out waste bin on waste electrical or electronic equipment is taken from Directive 2012/19/EU. It states that this device must not be disposed of with the household waste at the end of its life. You will find collection points for free return of waste electrical and electronic equipment in your vicinity. The addresses can be obtained from your municipality or local administration. You can also find out about other return options that apply for many EU countries on the website <https://hub.trotec.com/?id=45090>. Otherwise, please contact an official recycling centre for electronic and electrical equipment authorised for your country.

Dispose of the used grease and the used lubricant container according to your national regulations. The used grease and the lubricant container must not be treated as domestic waste.

The separate collection of waste electrical and electronic equipment aims to enable the re-use, recycling and other forms of recovery of waste equipment as well as to prevent negative effects for the environment and human health caused by the disposal of hazardous substances potentially contained in the equipment.

### Only for United Kingdom

According to Waste Electrical and Electronic Equipment Regulations 2013 (SI 2013/3113) (as amended) devices that are no longer usable must be collected separately and disposed of in an environmentally friendly manner.

## Declaration of conformity

Declaration of conformity in accordance with the EC Machinery Directive 2006/42/EC, Annex II, Part 1, Section A

We – Trotec GmbH – declare in sole responsibility that the product designated below was developed, constructed and produced in compliance with the requirements of the EC Machinery Directive in the version 2006/42/EC.

**Product model / Product:** PRDS 20-230V

**Product type:** Chisel hammer

**Year of manufacture as of:** 2023

**Relevant EU directives:**

- 2011/65/EU
- 2012/19/EU
- 2014/30/EU
- 2015/863/EU

**Applied harmonised standards:**

- EN 62841-1:2015/AC:2015
- EN IEC 62841-2-6:2020/A11:2020

**Applied national standards and technical specifications:**

- EN IEC 55014-1:2021
- EN IEC 55014-2:2021
- EN IEC 61000-3-2:2019/A1:2021
- EN 61000-3-3:2013/A1:2019
- EN 61000-3-3:2013/A2:2021

**Manufacturer and name of the authorised representative of the technical documentation:**

Trotec GmbH  
Grebener Straße 7, D-52525 Heinsberg  
Phone: +49 2452 962-400  
E-mail: info@trotec.de

Place and date of issue:

Heinsberg, 11.04.2023



Joachim Ludwig, Managing Director

Trotec GmbH

Grebener Str. 7  
D-52525 Heinsberg

☎ +49 2452 962-400

☎ +49 2452 962-200

✉ [info@trotec.com](mailto:info@trotec.com)

[www.trotec.com](http://www.trotec.com)