

TCH 1500 E

EN

OPERATING MANUAL
CONVECTOR



EN This product is only suitable for well insulated spaces or occasional use.

 TROTEC

Table of contents

Notes regarding the operating manual..... 2

Safety 2

Information about the device..... 5

Transport and storage..... 5

Assembly and installation..... 5

Operation 6

Errors and faults..... 9


Maintenance 10


Technical annex..... 10


Disposal 12


Notes regarding the operating manual

Symbols


 **Warning of electrical voltage**
This symbol indicates dangers to the life and health of persons due to electrical voltage.


 **Warning of hot surface**
This symbol indicates dangers to the life and health of persons due to hot surface.

 **Warning**
This signal word indicates a hazard with an average risk level which, if not avoided, can result in serious injury or death.

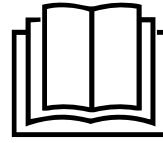
 **Caution**
This signal word indicates a hazard with a low risk level which, if not avoided, can result in minor or moderate injury.

Note
This signal word indicates important information (e.g. material damage), but does not indicate hazards.

 **Info**
Information marked with this symbol helps you to carry out your tasks quickly and safely.

 **Follow the manual**
Information marked with this symbol indicates that the operating manual must be observed.

You can download the current version of the operating manual and the EU declaration of conformity via the following link:




TCH 1500 E





<https://hub.trotec.com/?id=43925>

Safety

Read this manual carefully before starting or using the device. Always store the manual in the immediate vicinity of the device or its site of use!

 **Warning**
Read all safety warnings and all instructions.
Failure to follow the warnings and instructions may result in electric shock, fire and / or serious injury.
Save all warnings and instructions for future reference.
This appliance can be used by children aged from 8 years and above and persons with reduced physical, sensory or mental capabilities or lack of experience and knowledge if they have been given supervision or instruction concerning use of the appliance in a safe way and understand the hazards involved.
Children shall not play with the appliance. Cleaning and user maintenance shall not be made by children without supervision.

 **Warning**
Children of less than 3 years should be kept away unless continuously supervised.
Children aged from 3 years and less than 8 years shall only switch on/off the appliance provided that it has been placed or installed in its intended normal operating position and they have been given supervision or instruction concerning use of the appliance in a safe way and understand the hazards involved.
Children aged from 3 years and less than 8 years shall not plug in, regulate and clean the appliance or perform user maintenance.

 **Warning**
Do not use the device in small rooms if persons are present who cannot leave the room independently and who are not under constant supervision.

- Do not use the device in potentially explosive rooms.
- Do not use the device in aggressive atmosphere.
- Set the device up in an upright and stable position.
- Let the device dry out after a wet clean. Do not operate it when wet.
- Do not use the device with wet or damp hands.
- Do not expose the device to directly squirting water.
- Never insert any objects or limbs into the device.
- Do not cover or transport the device during operation.
- Do not remove any safety signs, stickers or labels from the device. Keep all safety signs, stickers and labels in legible condition.
- Do not sit on the device.
- This appliance is not a toy! Keep away from children and animals. Do not leave the device unattended during operation.
- Check accessories and connection parts for possible damage prior to every use of the device. Do not use any defective devices or device parts.
- Ensure that all electric cables outside of the device are protected from damage (e.g. caused by animals). Never use the device if electric cables or the power connection are damaged!
- The electrical connection must correspond to the specifications in chapter Technical data.
- Insert the mains plug into a properly secured mains socket.
- Observe the device's power input, cable length and intended use when selecting extensions to the power cable. Completely unroll extension cables. Avoid electrical overload.
- Before carrying out maintenance, care or repair work on the device, remove the mains plug from the mains socket. Hold onto the mains plug while doing so.
- Switch the device off and disconnect the power cable from the mains socket when the device is not in use.
- Do not under any circumstances use the device if you detect damages on the mains plug or power cable. If the supply cord is damaged, it must be replaced by the manufacturer, its service agent or similarly qualified persons in order to avoid a hazard. Defective power cables pose a serious health risk!
- During the installation of the device observe the minimum distances from walls and other objects as well as the storage and operating conditions specified in the Technical data chapter.
- Do not use the device in immediate proximity to curtains.
- Make sure that the air inlet and outlet are not obstructed.
- Make sure that the suction side is kept free of dirt and loose objects.
- Do not place the device on combustible ground.
- Allow the device to cool down before transport and / or maintenance work.
- Do not use this device near bathtubs, shower trays, swimming pools or other water containers. Risk of electric shock!
- The device must not be positioned directly beneath a wall socket.
- The device must be set up in a way that the switches and controllers cannot be touched by a person in a bathtub or shower.
- Do not use the device any more once it has been dropped.

Intended use

This product is only designed for use inside well insulated rooms or for occasional use.

Only use the device for heating closed rooms whilst adhering to the technical data.

Intended use comprises heating the air in:

- living spaces
- storerooms
- salesrooms
- construction areas
- containers
- basements

Improper use

- Do not place the device on wet or flooded ground.
- Do not place any objects, e.g. clothing, on the device.
- Do not use this device in the vicinity of fuel, solvents, varnishes or other easily inflammable vapours or in rooms where these substances are stored.
- Do not use the device outdoors.
- Do not use the device for heating vehicles.
- The device must not be used near swimming pools.
- Do not use this device in the immediate vicinity of sinks, bathtubs or other water containers. Never immerse the device in water.
- Never heat rooms with a cubature of less than 4 m³. Risk of overheating!
- Any operation other than as described in this manual is prohibited. Non-observance renders all claims for liability and guarantee null and void.
- Any unauthorised modifications, such as alterations or structural changes to the device, are forbidden.


Personnel qualifications

People who use this device must:

- be aware of the dangers that occur when working with electric devices in damp areas.
- have read and understood the operating manual, especially the Safety chapter.

Maintenance tasks which require the housing to be opened must only be carried out by specialist electrical companies or by Trotec.

Symbols on the device

Symbols	Meaning
	This symbol located on the device indicates that it is prohibited to place objects (such as towels, clothes etc.) above or directly in front of the device. In order to avoid overheating and fire hazards, the heater must not be covered.

Residual risks



Warning of electrical voltage

Work on the electrical components must only be carried out by an authorised specialist company!



Warning of electrical voltage

Before any work on the device, remove the mains plug from the mains socket!
Hold onto the mains plug while pulling the power cable out of the mains socket.



Warning of hot surface

Some parts of this product can become very hot and cause burns. Particular attention has to be given where children and vulnerable people are present!



Warning

Improper handling entails a risk of burning and electric shock.
Only use the device as intended!



Warning

Dangers can occur at the device when it is used by untrained people in an unprofessional or improper way!
Observe the personnel qualifications!



Warning

The device is not a toy and does not belong in the hands of children.



Warning

Risk of suffocation!
Do not leave the packaging lying around. Children may use it as a dangerous toy.



Warning

Improper installation entails a risk of fire.
Do not place the device on combustible ground.
Do not place the device on high-pile carpets.



Warning

In order to avoid overheating and fire hazards, the device must not be covered!

Behaviour in the event of an emergency

1. Switch off the device.
2. In an emergency, disconnect the device from the mains feed-in: Hold onto the mains plug while pulling the power cable out of the mains socket.
3. Do not reconnect a defective device to the mains.

Overheating protection

The device is provided with a safety thermostat which is activated by overheating of the device (when exceeding the operating temperature).

Once the safety thermostat has switched itself on, the device will be turned off.

When the device has cooled down sufficiently, the heating will be switched back on.

Investigate the cause of overheating.

If the safety thermostat does not switch in the event of overheating, the overheating protection will be tripped. In that case the device switches off completely. If so, please contact the customer service to have the overheating protection replaced.

Tilt protection

The device comes equipped with a tilt protection. The tilt protection is a safety device intended to minimize the risk of fire in case the device is tipped over inadvertently. The device will be switched off when knocked over (or if its upright position is changed in any other manner).

The tilt protection switches the device off when it is inclined by a few degrees out of its vertical position. The device can again be used as usual only a few seconds after placing it back in vertical position and on solid ground.

When the device is installed again, an acoustic signal is emitted and the device can be switched on again as described in the chapter "Operation".

Information about the device

Device description

The device is used to generate warm air for interior spaces.

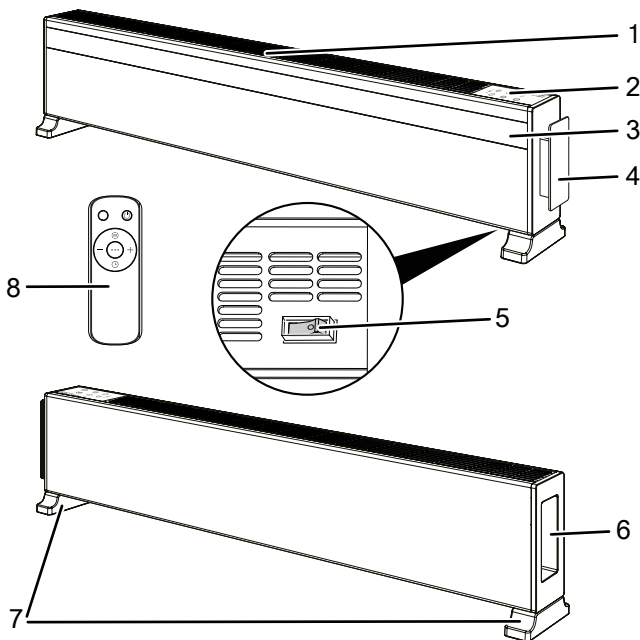
The device generates heat by means of an electric heating element. The air surrounding the heating element is heated. The heated air rises through the air outlet and thus enters the room.

The device is equipped with an integrated temperature sensor which controls the heating level depending on the current and the desired room temperature.

Via the control panel you can set a target temperature value between 5 °C and 35 °C.

Operation of the device is possible either via the control panel at the device or via the supplied infrared remote control.

Device depiction



No.	Designation
1	Air outlet
2	Control panel
3	Display
4	Power cable holder
5	On/off switch
6	Compartment for the remote control
7	Foot
8	Remote control

Transport and storage

Note

If you store or transport the device improperly, the device may be damaged.

Note the information regarding transport and storage of the device.

Transport

Before transporting the device, observe the following:

- Switch the device off.
- Hold onto the mains plug while pulling the power cable out of the mains socket.
- Do not use the power cable to drag the device.
- Allow the device to cool down sufficiently.

Storage

Before storing the device, proceed as follows:

- Hold onto the mains plug while pulling the power cable out of the mains socket.
- Allow the device to cool down sufficiently.

When the device is not being used, observe the following storage conditions:

- dry and protected from frost and heat
- in an upright position where it is protected from dust and direct sunlight
- with a cover to protect it from invasive dust, if necessary
- Place no further devices or objects on top of the device to prevent it from being damaged.
- Remove batteries from the remote control.

Assembly and installation

Scope of delivery

- 1 x Convector
- 1 x Remote control
- 1 x Manual

Unpacking the device

1. Open the cardboard box and take the device out.
2. Completely remove the packaging.
3. Fully unwind the power cable. Make sure that the power cable is not damaged and that you do not damage it during unwinding.

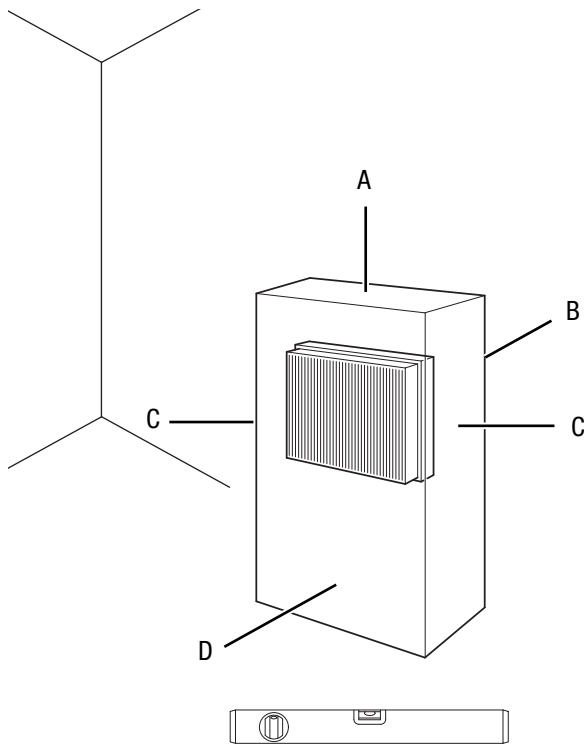
Start-up



Info

Odours might arise upon initial start-up or after a longer period of non-use.

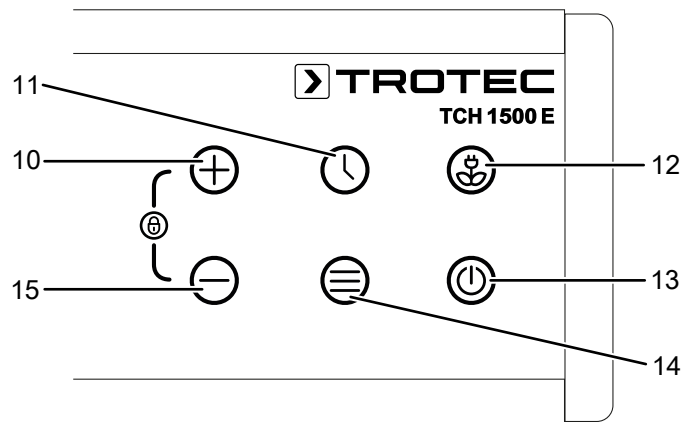
When positioning the device, observe the minimum distance from walls or other objects as described in the Technical data chapter.



Operation

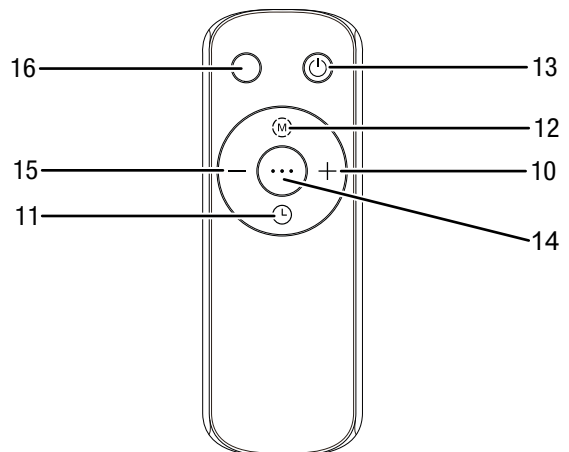
- Avoid open doors and windows.

Control panel



Remote control

All settings of the device can also be made using the remote control included in the scope of delivery.



- Before restarting the device, check the condition of the power cable. If there are doubts as to the sound condition, contact the customer service.
- Set the device up in an upright and stable position.
- Do not create tripping hazards when laying the power cable or other electric cables, especially when positioning the device in the middle of the room. Use cable bridges.
- Make sure that extension cables are completely unrolled.
- Make sure that no curtains or other objects interfere with the air flow.
- Do not position the device directly below a wall socket.
- Make sure that the device cannot come into contact with moisture or water.

Prior to initial start-up, insert batteries in the remote control.

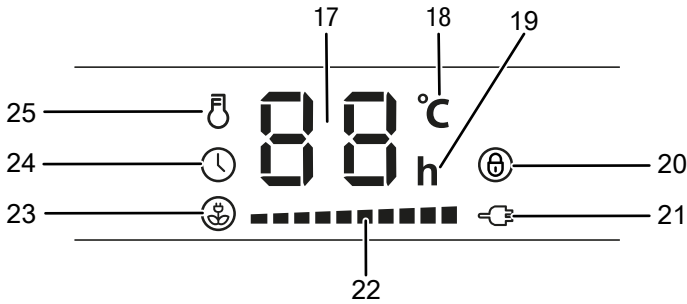
Connecting the power cable

- Insert the mains plug into a properly secured mains socket.
- Make sure that the power cable is guided along the back of the device. Never guide the power cable along the front of the device!

No.	Designation	Meaning
10	Increase value button	For setting the desired room temperature (5 °C to 35 °C) or the number of hours for the timer (1 to 24 h)
11	Timer button	Automatic switch-on timer function in increments of 1 hour (1 h to 24 h) Automatic switch-off timer function in increments of 1 hour (1 h to 24 h)
12	Eco button	Energy-saving mode with a fixed temperature setting of 26 °C
13	On/off button	Switches the device on and off (standby)
14	Heating level button	Increases the heating level (1-10)

No.	Designation	Meaning
15	<i>Decrease value</i> button	For setting the desired room temperature (5 °C to 35 °C) or the number of hours for the timer (1 to 24 h)
16	Button without function	Reserve

Display



No.	Designation	Meaning
17	Segment display	Indication of the desired room temperature during temperature adjustment Indication the number of hours during timer programming
18	°C indication	Illuminated when the desired room temperature is indicated on the segment display.
19	<i>Hours (h)</i> indication	Is illuminated if the number of hours is indicated on the segment display
20	<i>Child lock active</i> indication	Is illuminated if the child lock function is active
21	<i>Standby</i> indication	Is illuminated if the device is in standby.
22	<i>Heating level</i> indication	Display of the heating level set (1 - 10)
23	<i>Eco mode active</i> indication	Is illuminated if the Eco mode is active
24	<i>Timer active</i> indication	Is illuminated if the timer function is active
25	<i>Heating function active</i> indication	Is illuminated if the heating function is active

Switching the device on

Once you have completely installed the device as described in the Start-up chapter, you can switch it on.

- Switch on the device by pressing the on/off switch (5) on the bottom of the device.
 - ⇒ An acoustic signal is emitted.
 - ⇒ The device is now in standby mode.
 - ⇒ The *standby* indication (21) on the display is illuminated.
- Briefly press the *off/off* button (13) on the control panel or on the remote control.
 - ⇒ The device will start the heating operation.
 - ⇒ The display indicates the temperature preselected.
 - ⇒ The *Eco* (12) and *on/off* (13) buttons are illuminated.



Info

In standby mode, the device memorizes the room temperature setting.

Setting the desired room temperature

- ✓ The device is switched on.
- Repeatedly press the *Increase value* (10) or *Decrease value* (15) button until the desired temperature is shown on the display. Setting is possible in the range between 5 °C and 35 °C in increments of 1 °C.
 - ⇒ The room temperature set is stored.
 - ⇒ After approx. 1 minute the segment display goes off. The *heating level active* indication (25) is illuminated and indicates that the devices is still in the heating mode.



Info

The control panel and display illumination are switched off automatically during operation. By pressing a button (except for *on/off* (13)) you switch on the illumination again.



Info

The desired room temperature should be higher than the current room temperature.



Info

After switching off the device, the room temperature value that has been set remains stored.

Setting the heating level

The device is provided with 10 heating levels which you can select using the remote control or the control panel.

- ✓ The device is switched on.
- 1. Press the *Heating level* button (14) to increase the heating level.
 - ⇒ The *Heating level* indication (22) on the display is adapted accordingly.
- 2. Press the *Heating level* button (14) again to increase the heating level further. When the highest heating level has been reached, the device automatically skips back to the lowest heating level when the "Heating level" button is pressed again.

Eco mode

The device is provided with an Eco mode in which the room temperature is slowly increased to 26 °C (e.g. in offices). In the Eco mode, the temperature and the heating level cannot be adapted. Proceed as follows to switch on the Eco mode:

1. Press the *Eco* button (12).
 - ⇒ The Eco mode is activated.
 - ⇒ The *Eco mode active* indication (23) lights up on the display.
2. Press the *Eco* button (12) again or press the *heating level* button (14) to exit the Eco mode.

Setting the timer

The timer has the following modes of operation:

- automatic switch-on upon expiry of a preset number of hours
- automatic switch-off upon expiry of a preset number of hours

The number of hours to be set can be between 1 and 24 and is adjustable in increments of 1 hour.

Note

Do not leave the operating device unattended in a freely accessible room with an activated timer.

Automatic switch-on

- ✓ The device is in standby mode.
- 1. Press the *timer* button (11).
 - ⇒ The *timer mode active* indication (24) lights up on the display.
 - ⇒ The display indicates a switch-on time of 0 hours.
- 2. Select the desired number of hours by use of the *increase value* (10) or *decrease value* (15) button.
 - ⇒ The number of hours flashes on the segment display (17).
 - ⇒ The time until automatic switch-on is saved.
 - ⇒ After approx. 1 minute the segment display goes off. The *timer active* indication (24) is illuminated until the device switches on automatically.

Automatic switch-off

- ✓ The device is switched on.
- ✓ The device runs at the set heating level.
- 1. Press the *timer* button (11).
- 2. Select the desired number of hours by use of the *increase value* (10) or *decrease value* (15) button. If you select 0 hours, the timer will be off.
 - ⇒ The number of hours flashes on the segment display (17).
 - ⇒ The time until automatic switch-off is saved.
 - ⇒ For approx. 1 minute, the segment display changes between the display of the switch-off time and that of the temperature selected.
 - ⇒ After approx. 1 minute the segment display goes off. The *timer active* (24) and *heating function active* (25) indications are lit until the device switches off automatically.

Notes regarding automatic switch-off:

- Manually switching the device off disables the automatic switch-off function.
- If you select 0 hours, the timer will be off.

Activating/deactivating the automatic display switch-off function

The device is provided with an automatic display switch-off function which switches off the display after approx. 60 seconds. The following indications are not deactivated:

- *Child lock active* indication (20)
- *Standby* indication (21)
- *Timer active* indication (24)
- *Heating function active* indication (25)

In the factory default, the automatic display switch-off function is activated. Please proceed as follows to deactivate the automatic display switch-off function:

1. Simultaneously press and hold the *timer* (11) and *heating level* (14) buttons for approx. 3 seconds.
 - ⇒ The display switch-off function is deactivated. All indications in the display remain stored (if they are active).
2. Simultaneously press and hold the *timer* (11) and *heating level* (14) buttons for approx. 3 seconds if you wish to activate the display switch-off function again.

Child lock

The device is equipped with a child lock function that is to prevent children from changing the settings of the device.

Activate the child lock function as follows:

1. Simultaneously press and hold the *increase value* (10) and *decrease value* (15) buttons for approx. 3 seconds.
 - ⇒ The child lock function is activated.
 - ⇒ The *child lock active* indication (20) lights up on the display.
 - ⇒ All buttons on the control panel and the remote control are inhibited except for the *on/off* (13) button.
- ⇒ When the child lock function is activated, the switched-off device can only be switched on after deactivation of the child lock function

For deactivating the activated child lock function, proceed as follows:

1. Simultaneously press and hold the *increase value* (10) and *decrease value* (15) buttons for approx. 3 seconds.
 - ⇒ The child lock function is deactivated.
 - ⇒ The *child lock active* indication (20) on the display goes off.
 - ⇒ All buttons on the control panel and on the remote control are working again.

Shutdown



Warning of electrical voltage

Do not touch the mains plug with wet or damp hands.

1. Switch the device off.
2. Hold onto the mains plug while pulling the power cable out of the mains socket.
3. Allow the device to cool down sufficiently.
4. Clean the device according to the Maintenance chapter.
5. Store the device according to the Storage chapter.

Errors and faults



Warning of electrical voltage

Tasks which require the housing to be opened must only be carried out by authorised specialist companies or by Trotec.

The device has been checked for proper functioning several times during production. If malfunctions occur nonetheless, check the device according to the following list.

The device does not start:

- Check the power connection.
- Check the power cable and mains plug for damages.
- Check the on-site fusing.
- Check the room temperature. The room thermostat may have switched off, because the desired room temperature has been reached.
- The room thermostat might be defective. Have a defective room thermostat replaced by a specialist electrical company.
- Check whether the overheating protection has tripped, see chapter Safety.
- Wait for 10 minutes before restarting the device. If the device is not starting, have the electricians checked by a specialist company or by Trotec.

The device is switched on, but the heating is not operating:

- Check the room temperature. The room thermostat may have switched off, because the desired room temperature has been reached.
- Check whether the overheating protection has tripped, see chapter Safety.
- The heating resistor might have blown. Have a defective heating resistor replaced by a specialist electrical company.
- The room thermostat might be defective. Have a defective room thermostat replaced by a specialist electrical company.

The device does not respond to the infrared remote control:

- Check whether the distance between remote control and device is too large and reduce it if necessary.
- Make sure there are no obstacles, such as furniture or walls, between the device and the remote control. Ensure visual contact between device and remote control.
- Check the charging status of the batteries and change them if required.
- If the batteries have only just been changed, check them for correct polarity.

The device goes off or does not start at all:

- The device is not standing in an upright position, it is tilted. The device is equipped with a sensor that switches the device off if it is not standing in an upright position. Place the device on its feet and make sure that it is standing in an upright position.

The device does not run and the display shows "E1":

- The room thermostat is not active. The device is provided with an overheating protection that switches the devices off when a temperature of 50 °C is exceeded. If the device recognizes that no thermal sensor is active, it switches off for reasons of safety.
- Wait for 10 minutes before restarting the device. If the device is not starting, have the electrics checked by a specialist company or by Trotec.
- The room thermostat might be defective. Have a defective room thermostat replaced by a specialist electrical company.

The device does not run and the display shows "E2":

- Short circuit in the power circuit of the room thermostat. Pull the mains plug and check the power connection.
- Check the on-site fusing.
- Wait for 10 minutes before restarting the device. If the device is not starting, have the electrics checked by a specialist company or by Trotec.
- The room thermostat might be defective. Have a defective room thermostat replaced by a specialist electrical company.

Note

Wait for at least 3 minutes after maintenance and repair work. Only then switch the device back on.

Your device still does not operate correctly after these checks?

Please contact the customer service. If necessary, bring the device to an authorized specialist electrical company or to Trotec for repair.

Maintenance

Activities required before starting maintenance



Warning of electrical voltage

Do not touch the mains plug with wet or damp hands.

- Switch the device off.
- Hold onto the mains plug while pulling the power cable out of the mains socket.
- Allow the device to cool down completely.



Warning of electrical voltage

Tasks which require the housing to be opened must only be carried out by authorised specialist companies or by Trotec.

Cleaning the housing



Warning of electrical voltage

Never immerse the device in water!

Clean the housing with a soft, damp and lint-free cloth. Ensure that no moisture enters the housing. Protect electrical components from moisture. Do not use any aggressive cleaning agents such as cleaning sprays, solvents, alcohol-based or abrasive cleaners to dampen the cloth.

Wipe the housing dry after cleaning.

Technical annex

Technical data

Parameter	Value
Model	TCH 1500 E
Heating capacity (depending on levels 1 - 10)	220–1500 W
Heating capacity level 5	1000 W
Setting range	5 °C to 35 °C
Mains connection	220 – 240 V / 50 Hz
Max. power consumption	1500 W
Cable length	1.5 m
Dimensions (depth x width x height)	130 x 1100 x 230 mm
Plug type	CEE 7/7
Minimum distance to walls and other objects	A: top: 1 m B: rear: 1 m C: side: 1 m D: front: 1 m
Weight	6.5 kg
Remote control batteries	Type LR03 / AAA – 1.5 V (2 pcs.)

Information requirements for electrical local space heaters

Parameter	Value / item
Model	TCH 1500 E
Heat output	
Nominal heat output P_{nom}	1.5 kW
Minimum heat output (indicative) P_{min}	NA
Maximum continuous heat output $P_{max,c}$	1.5 kW
Auxiliary electricity consumption	
At nominal heat output $e_{l,max}$	NA
At minimum heat output $e_{l,min}$	NA
In standby mode $e_{l,sb}$	0.43
Type of heat input	
Manual heat charge control, with integrated thermostat	NO
Manual heat charge control with room and/or outdoor temperature feedback	NO
Electronic heat charge control with room and/or outdoor temperature feedback	NO
Fan assisted heat output	NO
Type of heat output/room temperature control	
Single-stage heat output, no room temperature control	NO
Two or more manual stages, no room temperature control	NO
With mechanic thermostat room temperature control	NO
With electronic room temperature control	NO
With electronic room temperature control plus day timer	YES
With electronic room temperature control plus week timer	NO
Other control options	
Room temperature control, with presence detection	NO
Room temperature control, with open window detection	NO
With distance control option	NO
With adaptive start control	NO
With working time limitation	NO
With black bulb sensor	NO
Contact details	Trotec GmbH Grebbeener Straße 7 D-52525 Heinsberg

NA: not applicable

Disposal



The icon with the crossed-out waste bin on waste electrical or electronic equipment stipulates that this equipment must not be disposed of with the household waste at the end of its life. You will find collection points for free return of waste electrical and electronic equipment in your vicinity. The addresses can be obtained from your municipality or local administration. For further return options provided by us please refer to our website www.trotec24.com.

The separate collection of waste electrical and electronic equipment aims to enable the re-use, recycling and other forms of recovery of waste equipment as well as to prevent negative effects for the environment and human health caused by the disposal of hazardous substances potentially contained in the equipment.



In the European Union, batteries and accumulators must not be treated as domestic waste, but must be disposed of professionally in accordance with Directive 2006/66/EC of the European Parliament and of the Council of 6 September 2006 on batteries and accumulators. Please dispose of batteries and accumulators according to the relevant legal requirements.

Trotec GmbH

Grebener Str. 7
D-52525 Heinsberg

☎ +49 2452 962-400

☎ +49 2452 962-200

✉ info@trotec.com

www.trotec.com